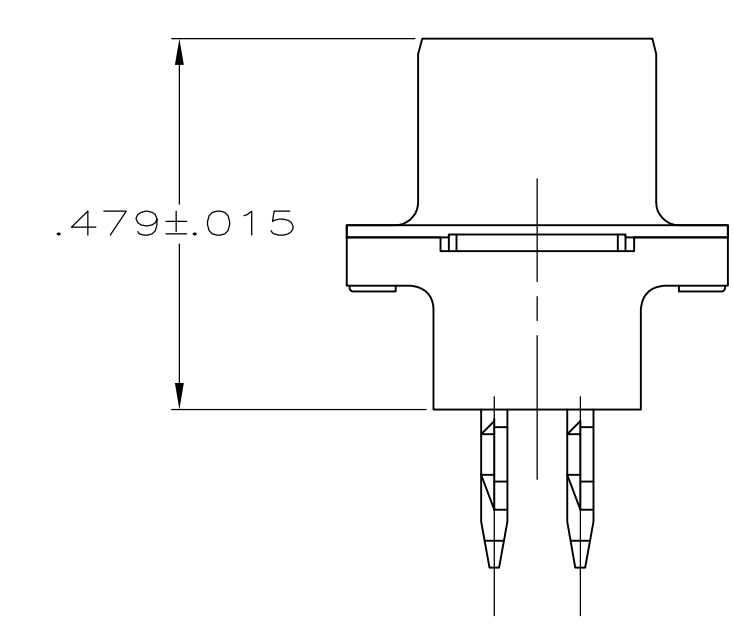
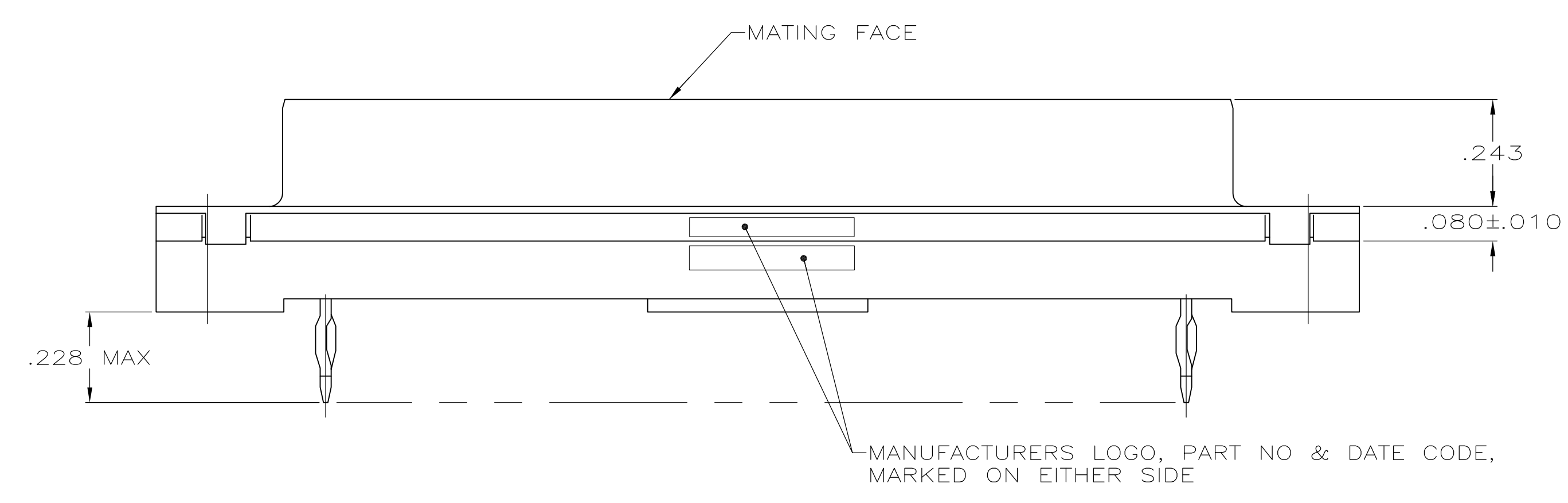
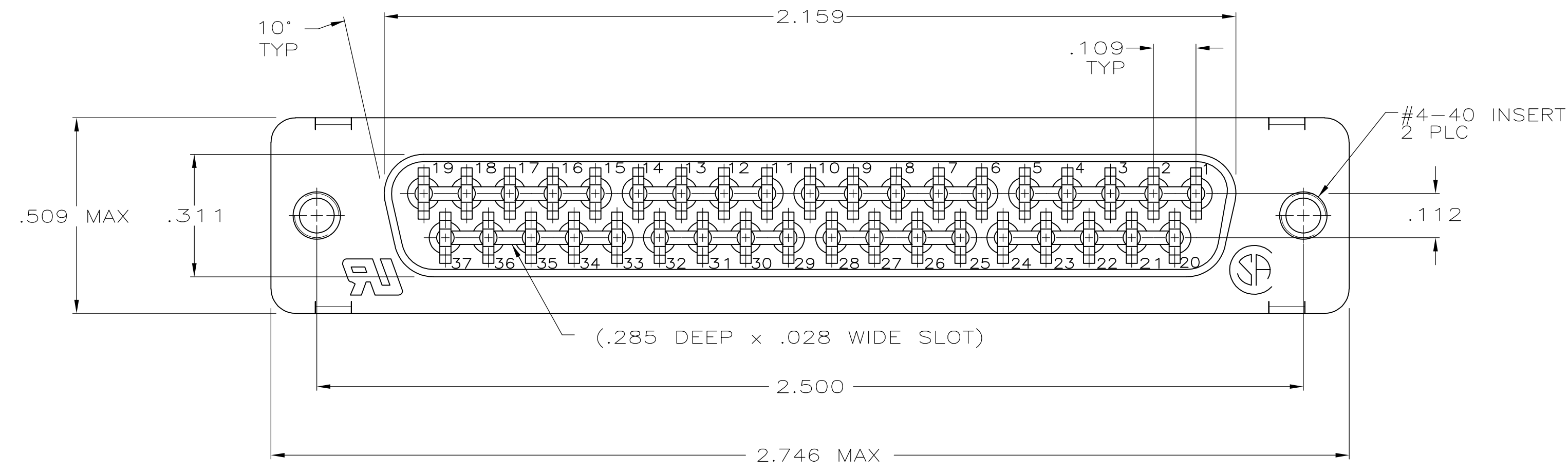


LOC		DIST		REVISIONS			
GP	00	REV	DATE	BY	CHK	APPV	
C	REVISED PER ECO-12-000090		26JAN2012	CJV	SLB		



- 1 FOR USE WITH .093 MINIMUM THICK PRINTED CIRCUIT BOARD. REFER TO APPLICATION SPECIFICATION FOR PRINTED CIRCUIT BOARD LAYOUT DIMENSIONS AND FINISH RECOMMENDATIONS.
- 2 GOLD FLASH ON MATING SURFACE, .000100 MIN TIN ON COMPLIANT PIN, ALL OVER .000050 MIN NICKEL.
- 3 0.76 MICRO METERS [.000030] MINIMUM GOLD IN MATING AREA. 2.54 MICRO METERS [.000100] MINIMUM TIN ON COMPLIANT PIN. ALL OVER 1.27 MICRO METERS [.000050] MINIMUM NICKEL. OR GOLD FLASH OVER PALLADIUM NICKEL. 0.76 MICRO METERS [.000030] MINIMUM TOTAL IN MATING AREA. 2.54 MICRO METERS [.000100] MINIMUM TIN ON COMPLIANT PIN. ALL OVER 1.27 MICRO METERS [.000050] MINIMUM NICKEL.
- 4 SHELL: .0002 MIN TIN OVER .0001000 MIN COPPER.
- 5 HOUSING: FLAME RETARDANT, UL 94V-0 RATED, THERMOPLASTIC; COLOR: BLACK. SHELL: CARBON STEEL CONTACTS: COPPER ALLOY INSERTS: BRASS
- 6 OBSOLETE PARTS: OBSOLETE CIS STREAMLINING PER D.RENAUD/D.SINISI

6	OBSOLETE	3	5747714-2
		2	5747714-1
		CONTACT FINISH	PART NO

**COPYRIGHT 2005
TYCO ELECTRONICS CORP
ALL RIGHTS RESERVED**

THIS DRAWING IS A CONTROLLED DOCUMENT. DIMENSIONING AND TOLERANCING PER ASME Y14.5M-2009

DIMENSIONS:	TOLERANCES UNLESS OTHERWISE SPECIFIED:	DIN	A. FERNANDEZ	03-31-05
INCHES		CHK	S. BOLASH	03-31-05
0. PLC	± .005	APPV	M. WALMSLEY	03-31-05
1. PLC	± .005	NAME	RCPT ASSY, SIZE 4, 37 POSN, AMPLIMITE HD-20, MDM PROFILE, W/ ACTION PIN CONT & METAL SHELL.	
2. PLC	± .005	PRODUCT SPEC	108-40014	
3. PLC	± .005	APPLICATION SPEC	114-40026	
4. PLC	± .005	SIZE	A1	00779
ANGLES	± .2°	WEIGHT	C=5747714	
MATERIAL	FINISH	CUSTOMER DRAWING	SCALE	4:1
5	4		SHEET	1 of 1

STE TE Connectivity